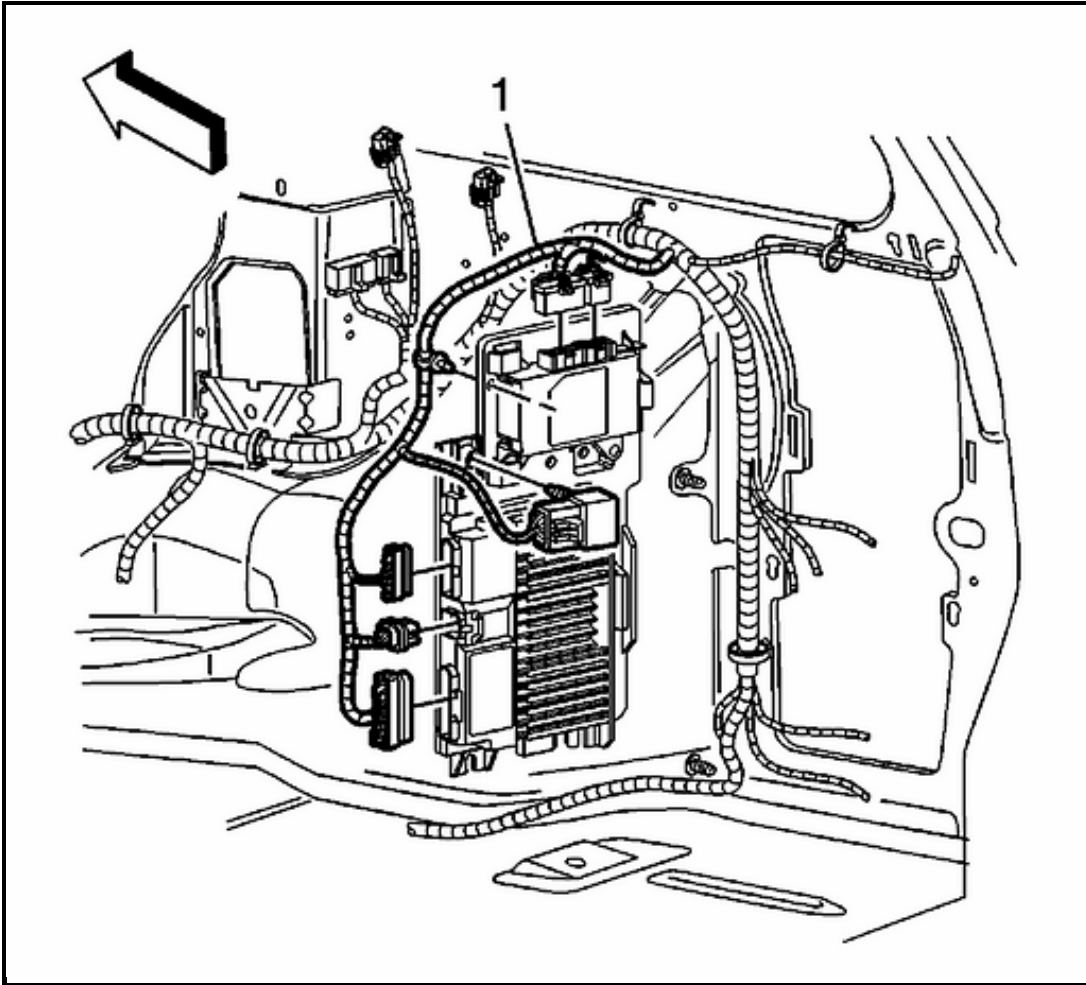




REAR INTEGRATION MODULE REPLACEMENT

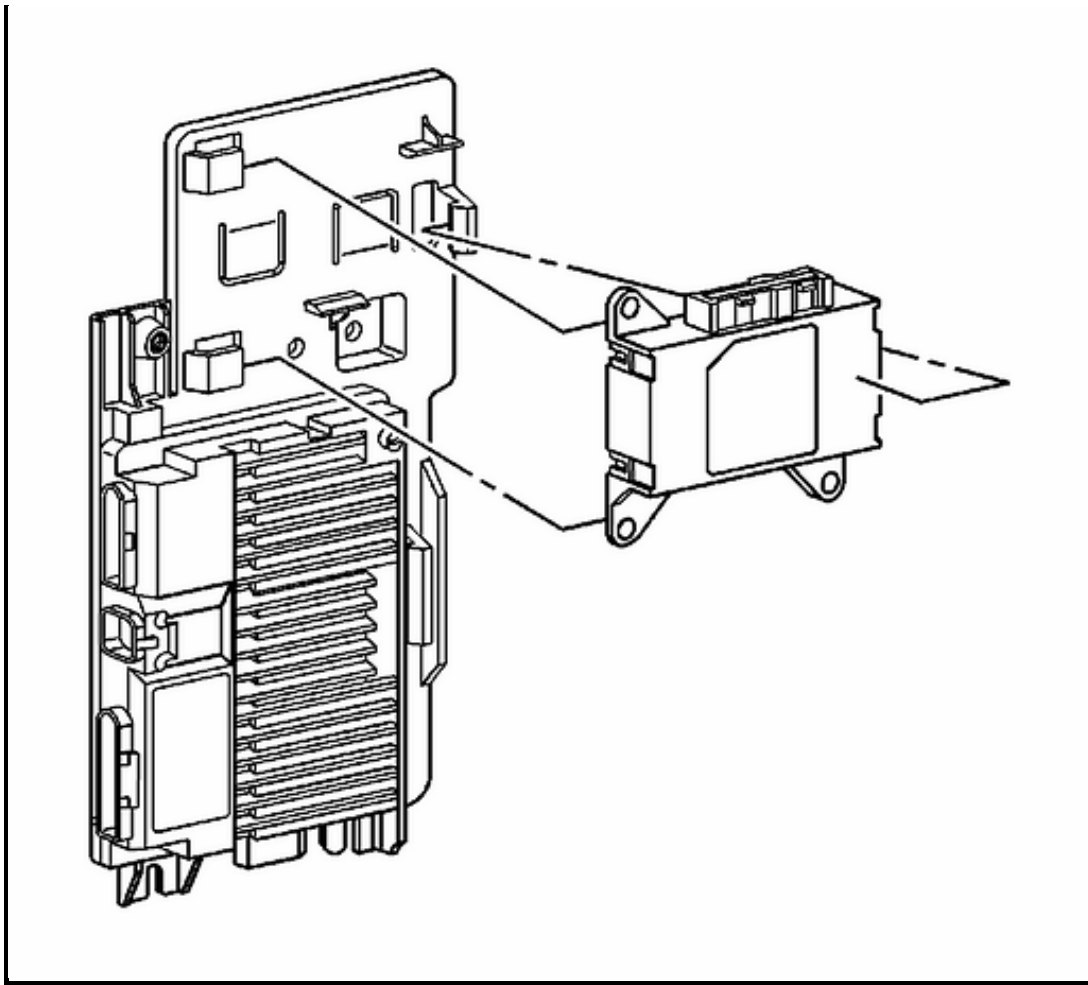
REMOVAL PROCEDURE

1. Remove the right rear body side trim.



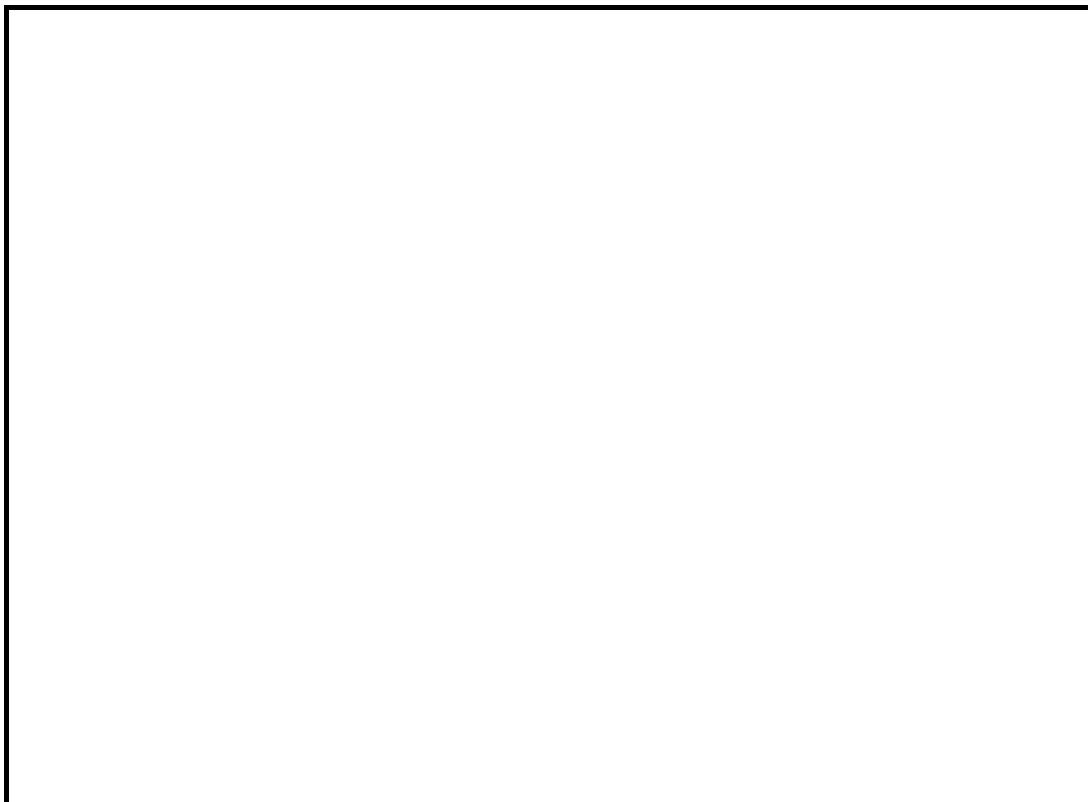
2. Disconnect the electrical connectors (1) from the rear integration module (RIM).

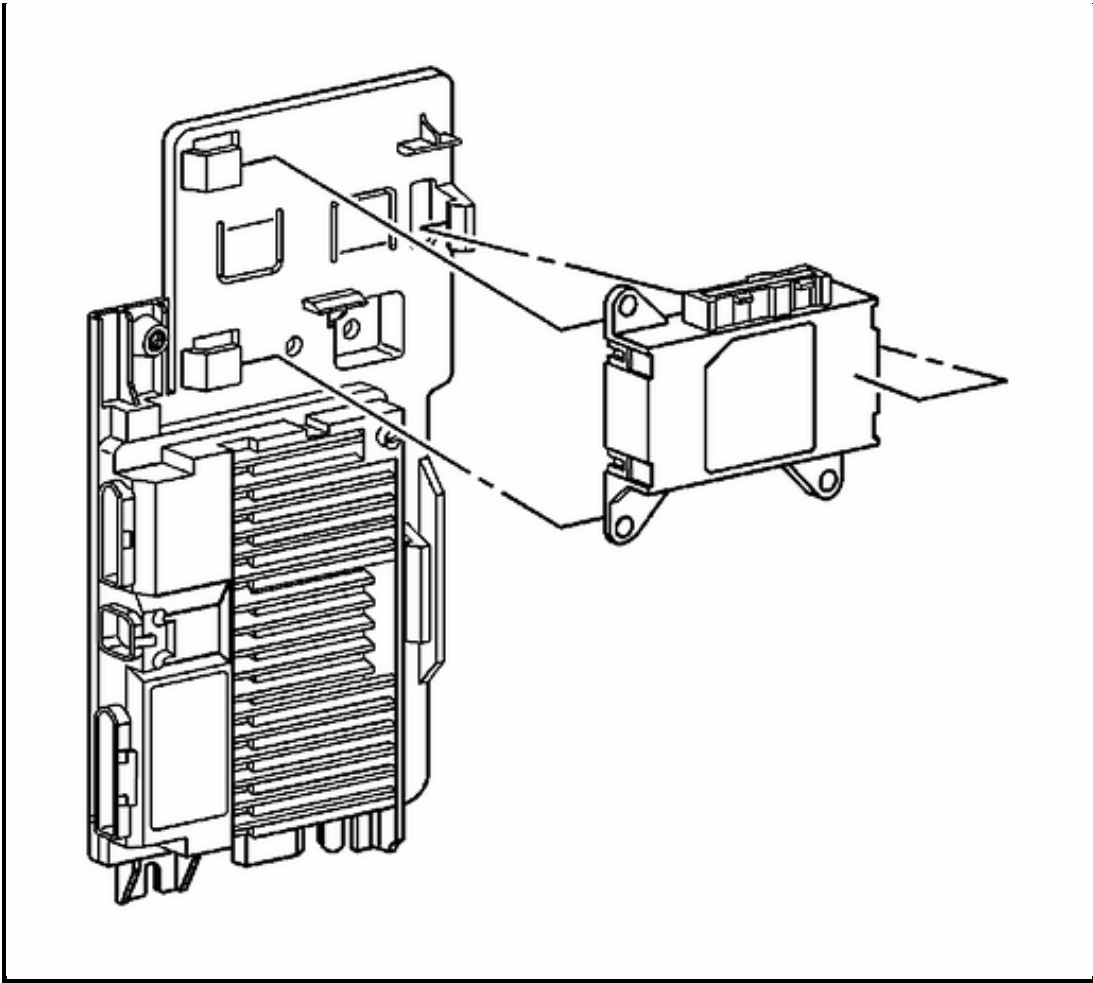




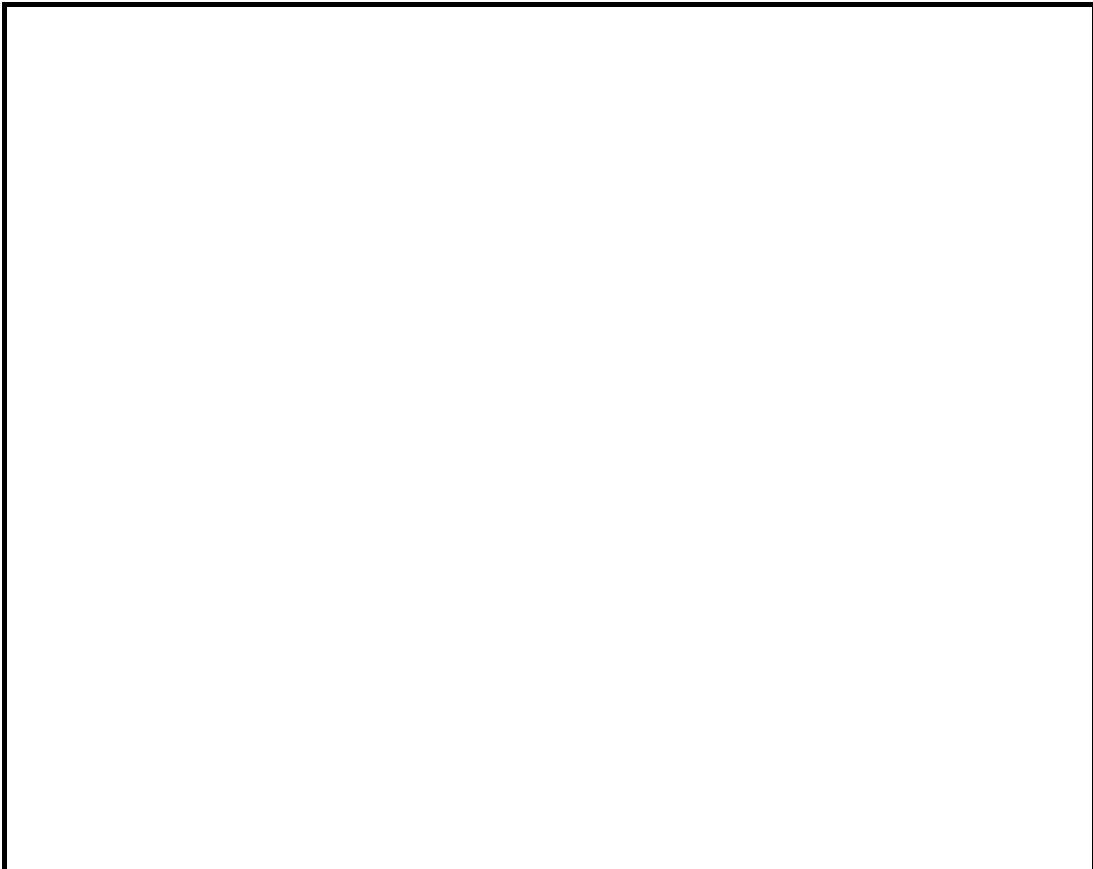
3. Remove the RIM from the mounting bracket.

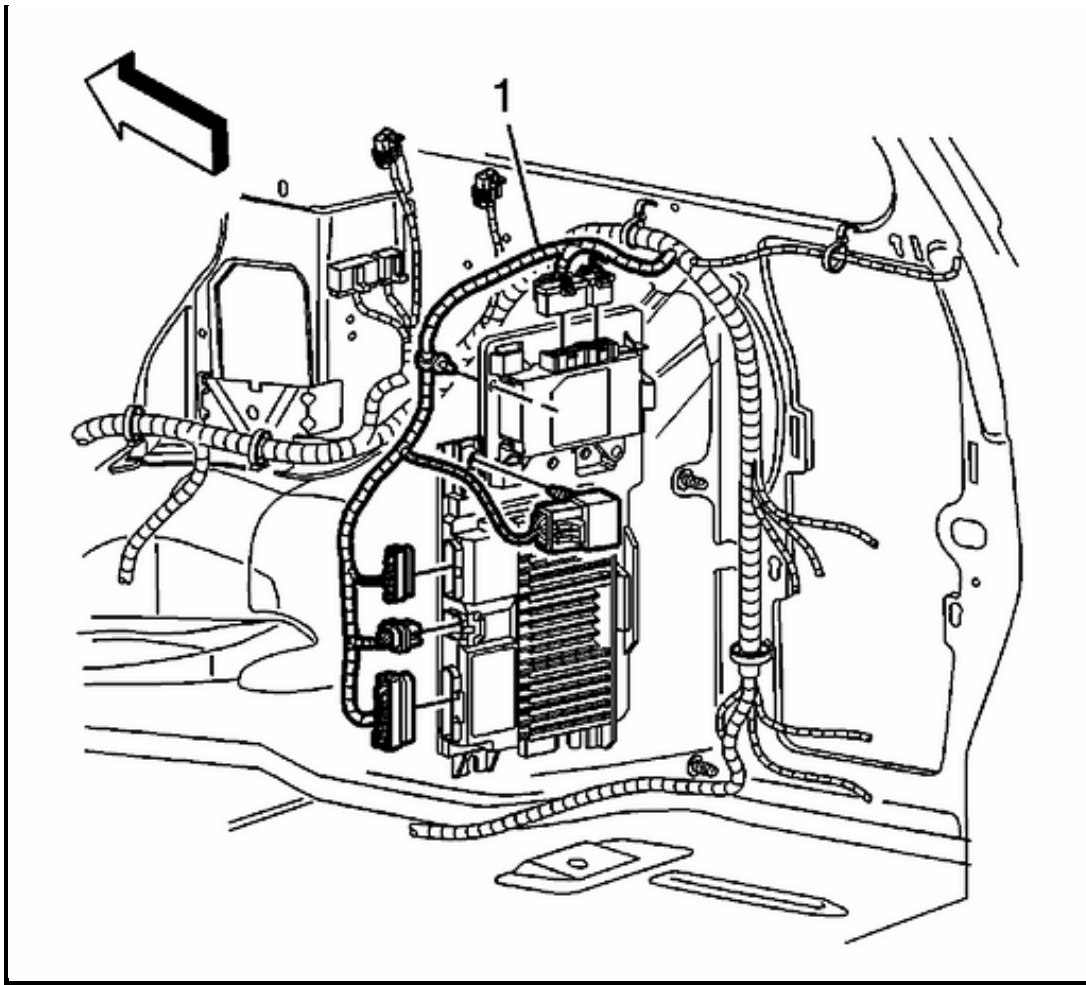
INSTALLATION PROCEDURE





1. Install the RIM to the mounting bracket.





2. Connect the electrical connectors (1).
3. Install the right rear body side trim.
4. Reprogram the module. Refer to Control Module References. See: Vehicle > Programming and Relearning

© 2014 ALldata, LLC. All Rights Reserved. (Version 2.0.13680)