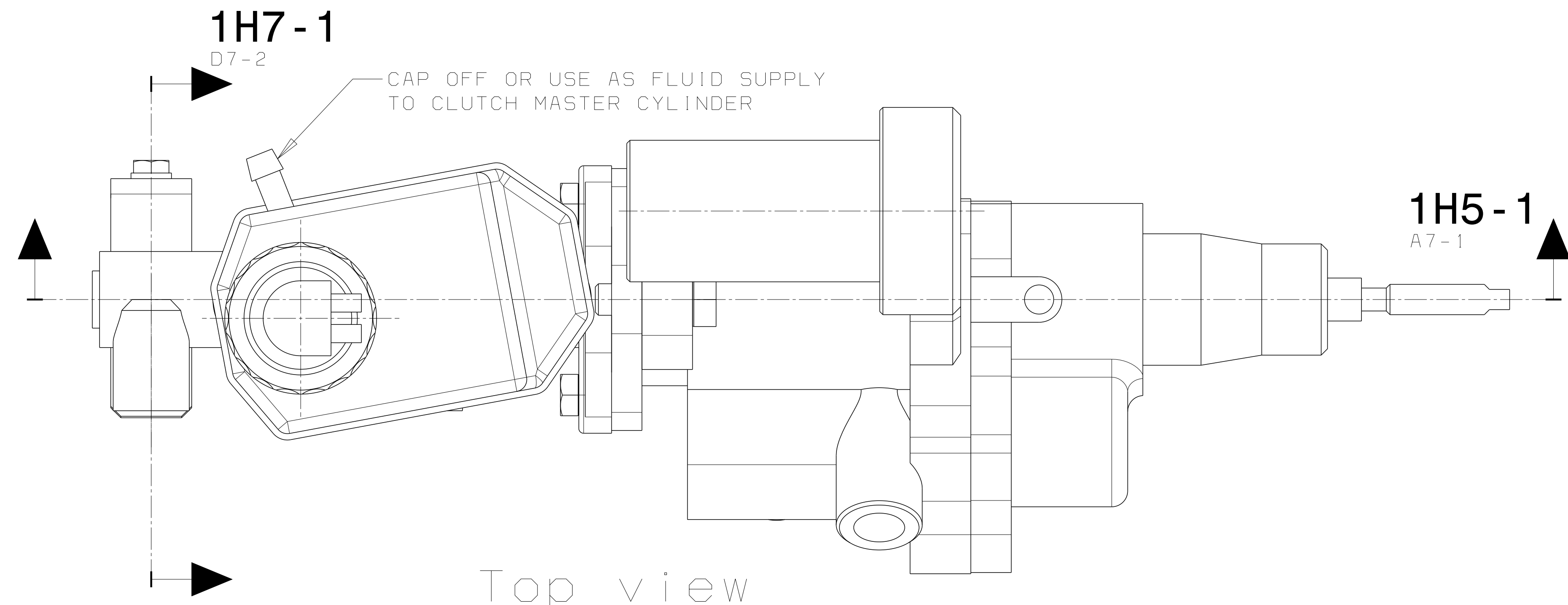
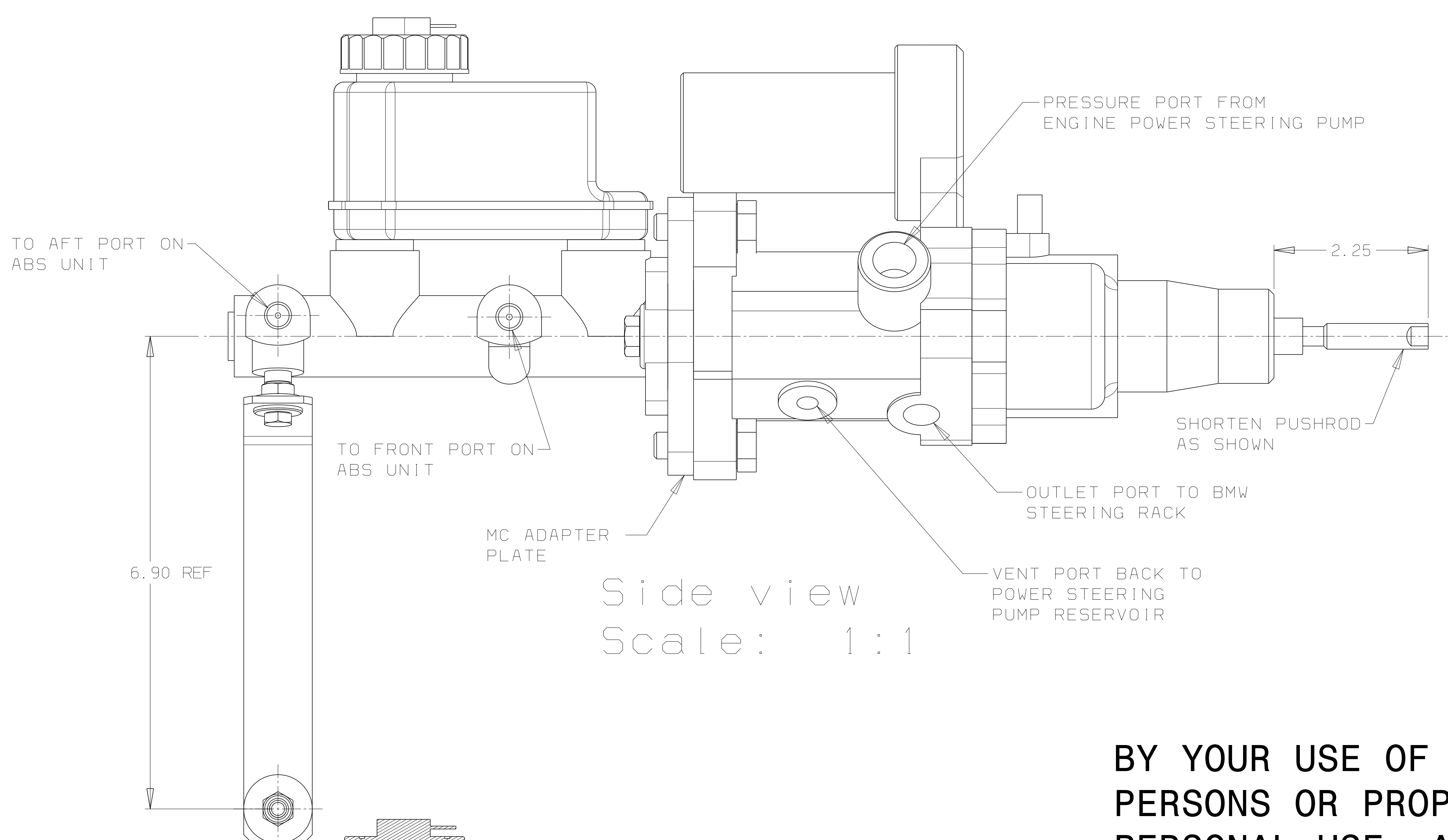


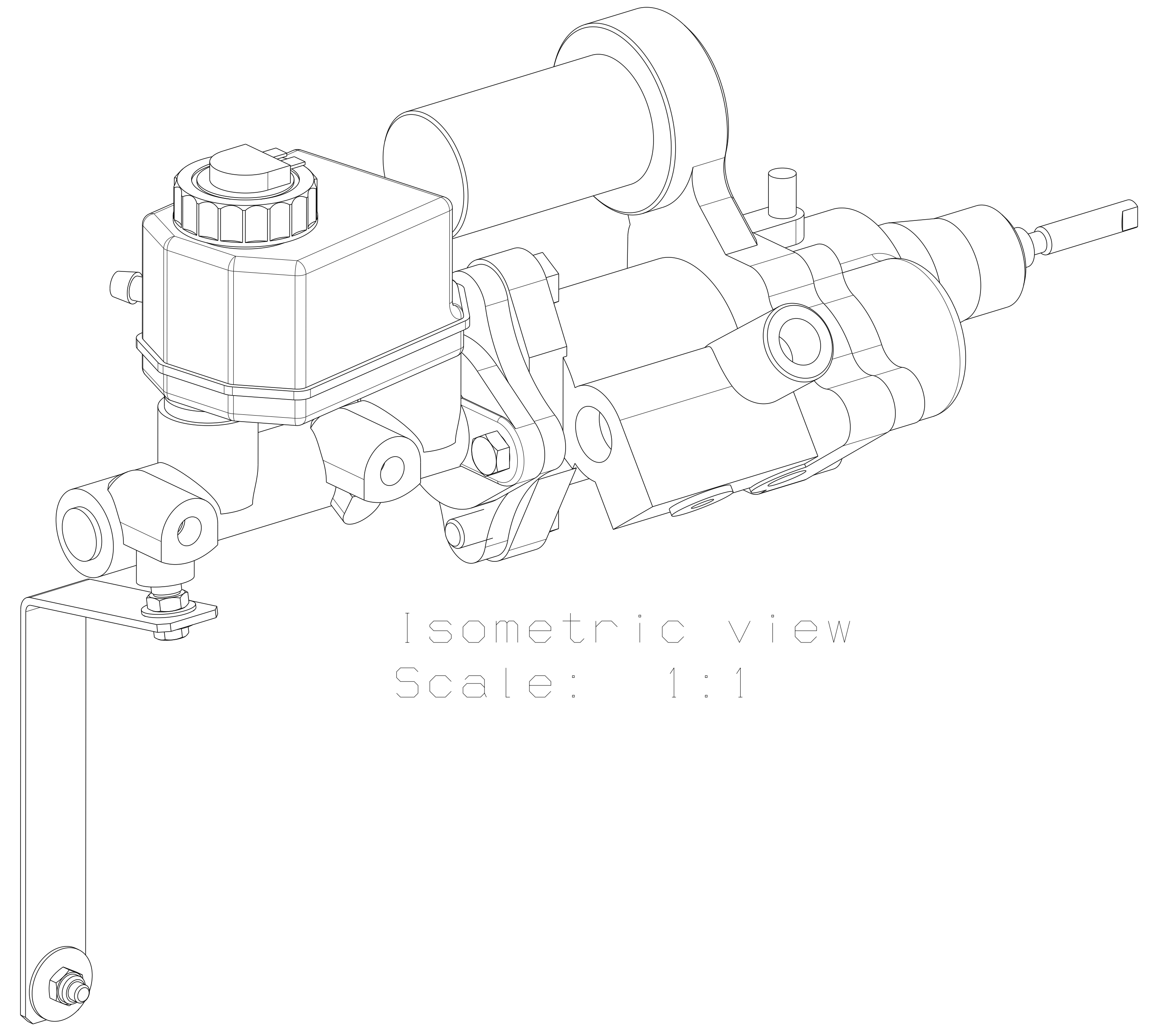
REV	REVISION DESCRIPTION	AUTHORIZATIONS
X	X	DESIGNER: SVS 04/28/2014 CHECKER: --- DATASET CHECKER: --- APPROVAL: ---



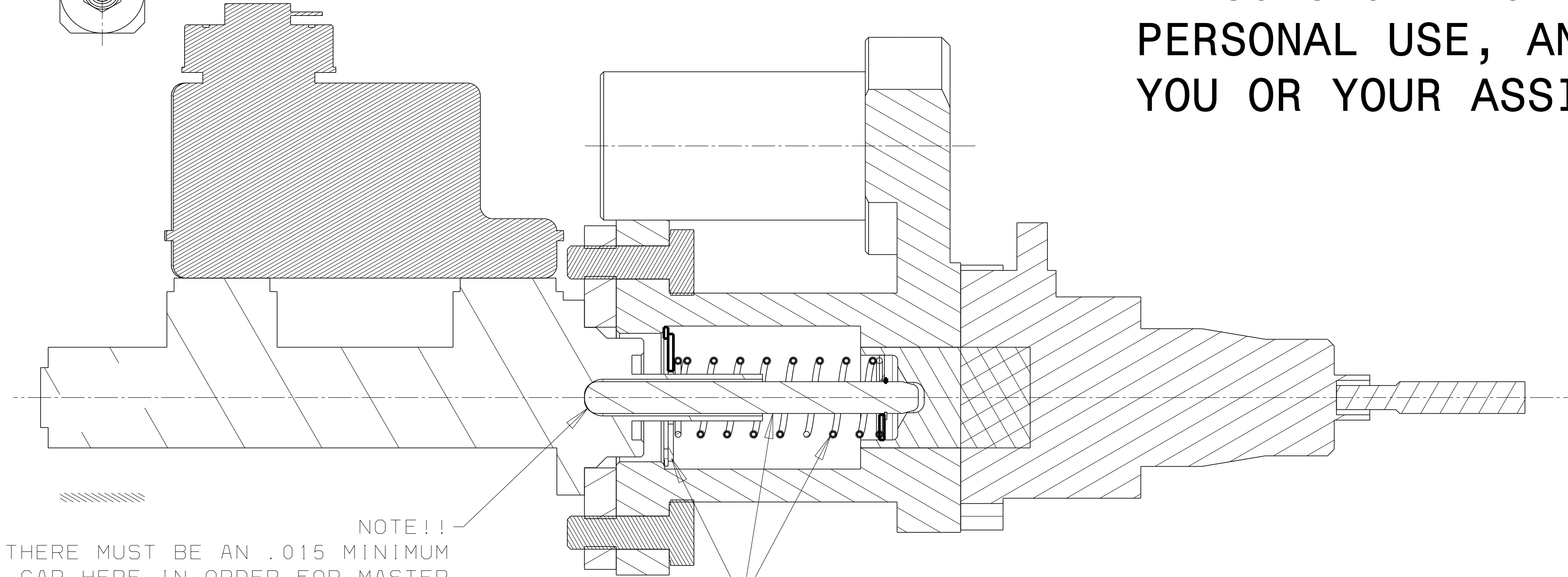
Top view
Scale: 1:1



Side view
Scale: 1:1



Isometric view
Scale: 1:1



1H5-1

BY YOUR USE OF THIS DESIGN, IT IS YOUR RESPONSIBILITY FOR ANY LOSS OR DAMAGE TO PERSONS OR PROPERTY. WE PROVIDE THIS DESIGN FREE OF CHARGE FOR YOUR PERSONAL USE, AND THIS DESIGN MAY NOT BE USED FOR COMMERCIAL PURPOSES BY YOU OR YOUR ASSIGNS.

DETAIL NO	QUANTITY	NAME OF DETAIL	ZONE	MATERIAL	STOCK SIZE
1	1	1A5			
EXCEPT AS NOTED		SCALE 1:1 & NOTED			
TOLERANCES DECIMAL		ALL DIMENSIONS IN INCHES			
.X = ± .03		FLOOR AREA		APPROX WT	
.XX = ± .010		---		---	
.XXX = ± .005					
ANGULAR = ± .5°					
REVISIONS	DATE	DESIGNED	NAME	DATE	
XXX/XX/XX		G VAN SWearingEN		04/28/14	
		S VAN SWearingEN		04/28/14	
		CHECKED	XXXX	XX/XX/XX	
		DRAWN	XXXX	XX/XX/XX	
FINISH AS NOTED		E NEW			
COLOR OR PROTECTIVE		SHT SIZE		REV	

E30-LS1
BMW E30 MC
1999 MUSTANG HB

① BMW E30-MUSTANG HYDROBOOST ASSY

© GARRET S VAN SWearingEN