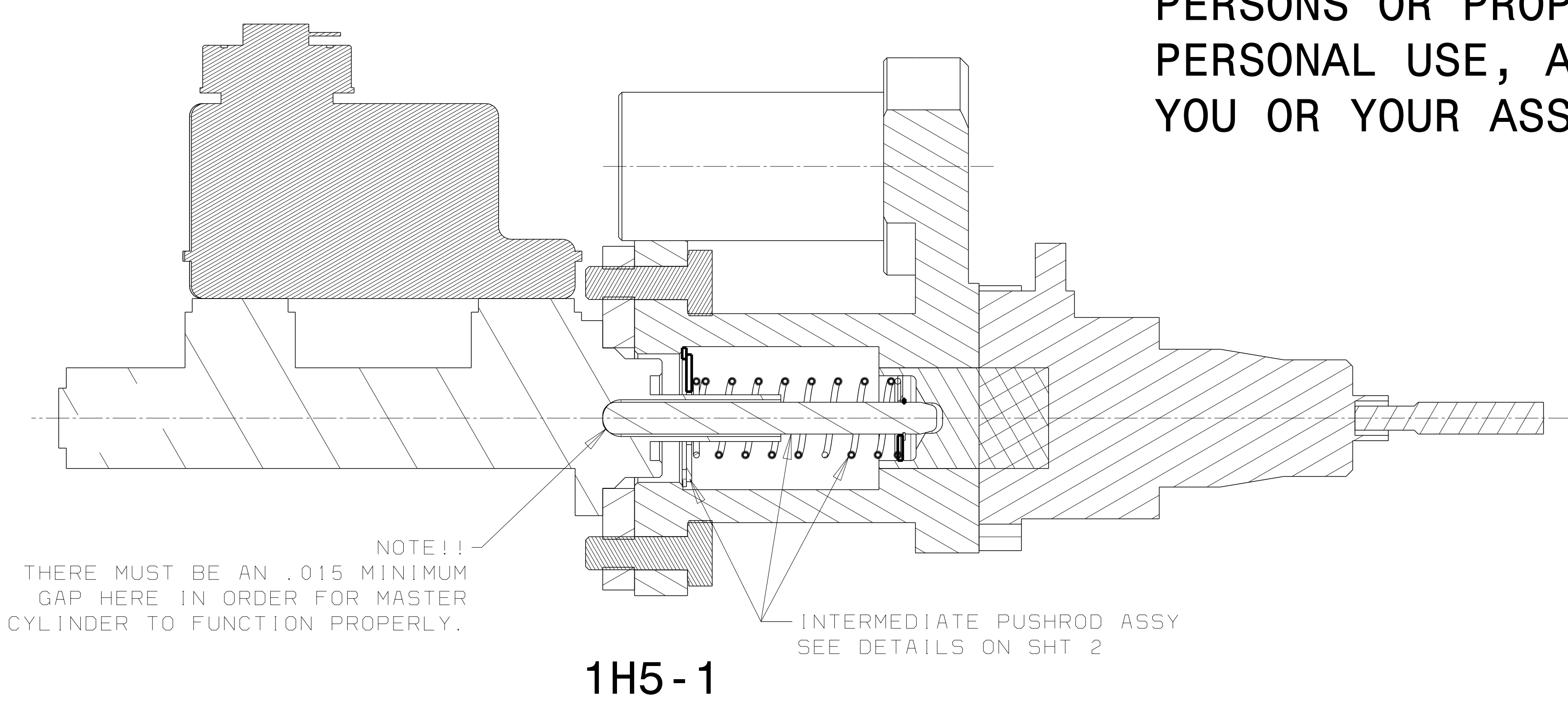
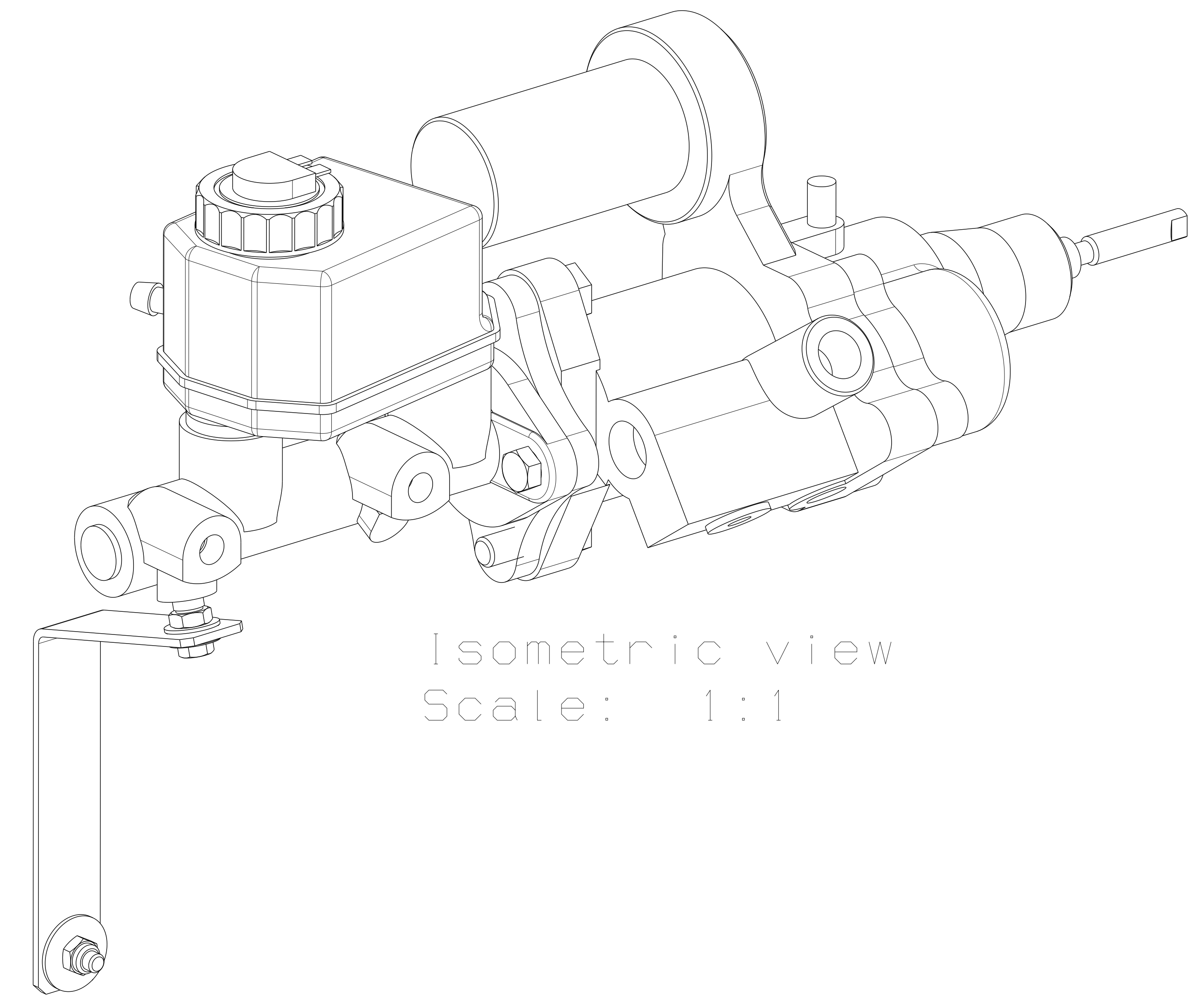
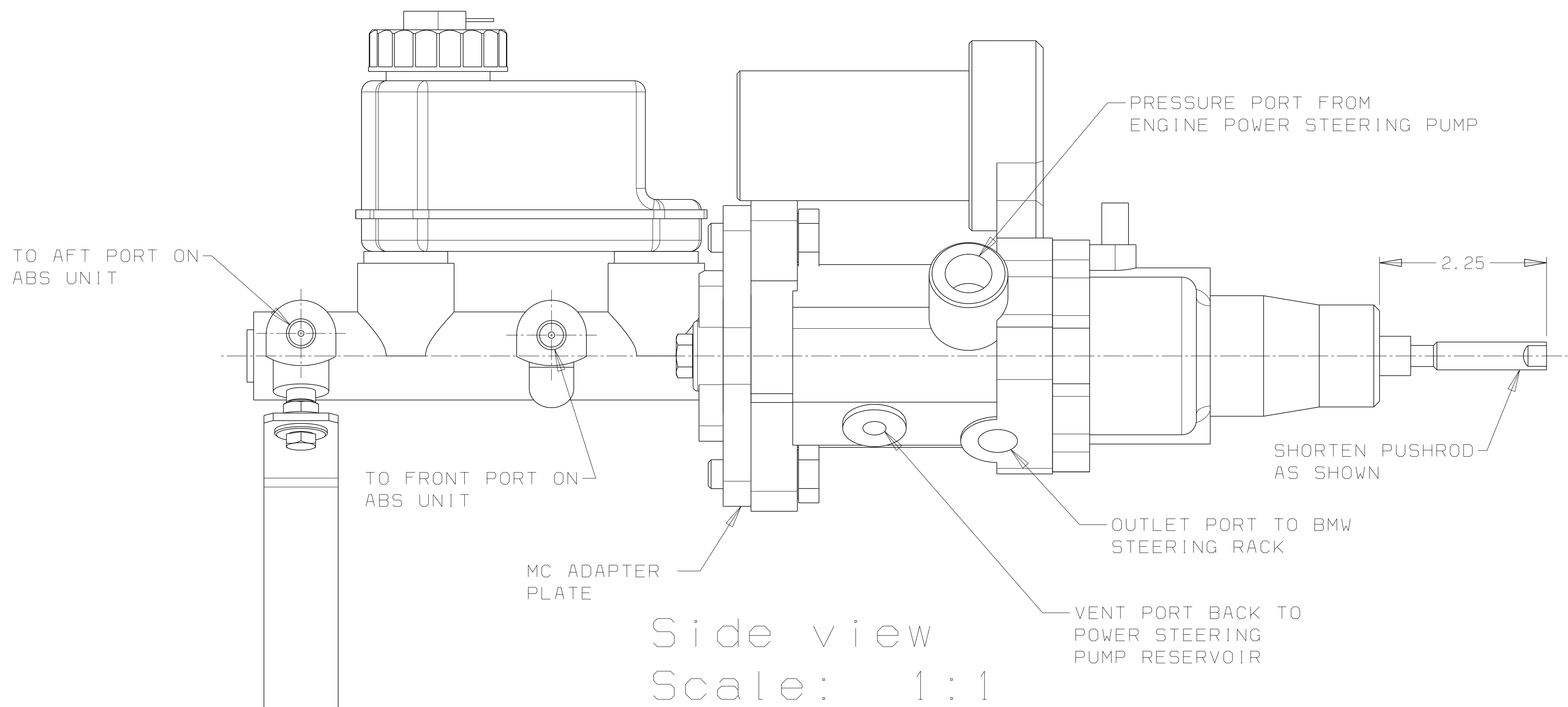
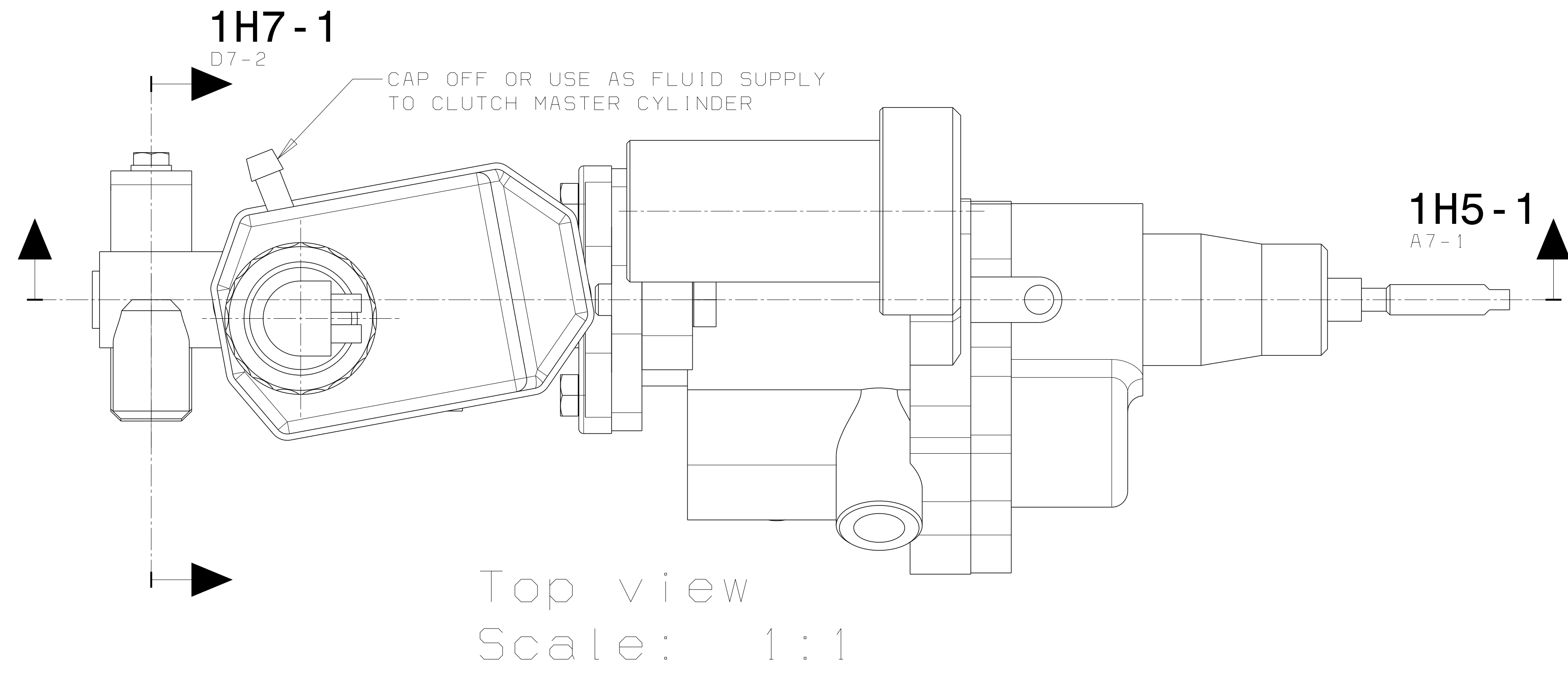


REV	REVISION DESCRIPTION	AUTHORIZATIONS
X	X	DESIGNER: SVS 04/28/2014 CHECKER: --- --- --- DATASET CHECKER: --- --- --- APPROVAL: --- ---



BY YOUR USE OF THIS DESIGN, IT IS YOUR RESPONSIBILITY FOR ANY LOSS OR DAMAGE TO PERSONS OR PROPERTY. WE PROVIDE THIS DESIGN FREE OF CHARGE FOR YOUR PERSONAL USE, AND THIS DESIGN MAY NOT BE USED FOR COMMERCIAL PURPOSES BY YOU OR YOUR ASSIGNS.

1 BMW E30-MUSTANG HYDROBOOST ASSY © GARRET S VAN SWEARINGEN

DETAIL NO	QUANTITY	NAME OF DETAIL	ZONE	MATERIAL	STOCK SIZE
1	1	1A5			
EXCEPT AS NOTED		SCALE			
TOLERANCES DECIMAL		1:1 & NOTED			
.X = ±.03		ALL DIMENSIONS IN INCHES			
.XX = ±.010		FLOOR AREA		APPROX WT	
.XXX = ±.005		---		---	
ANGULAR = ±.5°					
REVISIONS	DATE	DESIGNED	NAME	DATE	
XXX/XX/XX		G VAN SWEARINGEN		04/28/14	
		Detailed	S VAN SWEARINGEN	04/28/14	
		CHECKED	XXXX	XX/XX/XX	
		DRAWN	XXXX	XX/XX/XX	
		FINISH	E NEW		
		AS NOTED			
		COLOR OR PROTECTIVE			
		SHT SIZE			
		REV			
		DWG NO			
					SHT NO 1 OF 1

E30-LS1
BMW E30 MC
1999 MUSTANG HB