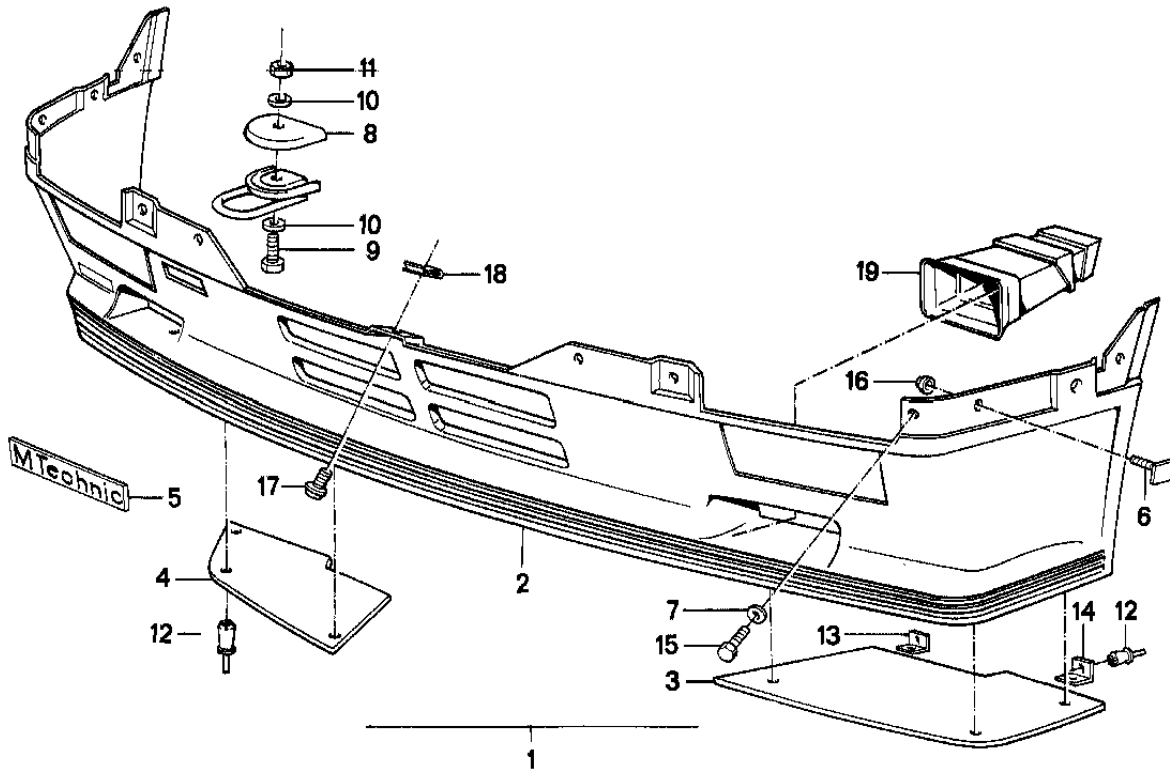


3' E30 323i FRONT SPOILER M TECHNIC

[Vehicle trim](#) > [Bumper, front](#)



00006017

No.	Description	Supp.	Qty	From	Up To	Part Number	Price	Notes
02	SPOILER FRONT	M TECHNIC	1		09/1987	51111929559	\$558.00	ENDED
03	Covering left	M TECHNIC	1		09/1985	51111919157		ENDED
03	Covering right	M TECHNIC	1		09/1985	51111919158		
04	Covering right	M TECHNIC	1		09/1985	51111919158		
05	Stick-on label	M TECHNIC	1		09/1987	51111919154	\$10.66	
06	Clamping bolt	M TECHNIC	6		09/1987	51111919151	\$4.43	
07	Washer	6,4	2		09/1987	07119931044	\$0.58	ENDED
08	Towing hinge	M TECHNIC	1		09/1985	51711919156		ENDED
08	Towing hinge	M TECHNIC	1		09/1987	51711953903	\$19.48	
09	Hex bolt	M10X20-10.9-PHR	1		09/1987	07119913830	\$0.43	
09	Hex bolt	M10X20	1		09/1987	07119913880	\$0.35	ENDED
10	Washer	A10,5	2		09/1987	07119931020	\$0.40	ENDED
10	Washer	ZNS3	2		09/1987	07119904198	\$0.45	
10	Washer	10,5	2		09/1987	07119931106	\$0.16	ENDED
11	SELF-LOCKING HEX NUT	M10	1		09/1987	07129922721	\$0.21	ENDED
11	SELF-LOCKING HEX NUT	M10	1		09/1987	07129964672	\$0.36	
12	Expanding rivet		X		09/1987	51161881149	\$0.20	
13	Bracket	M TECHNIC	2		09/1987	51111942081	\$5.73	

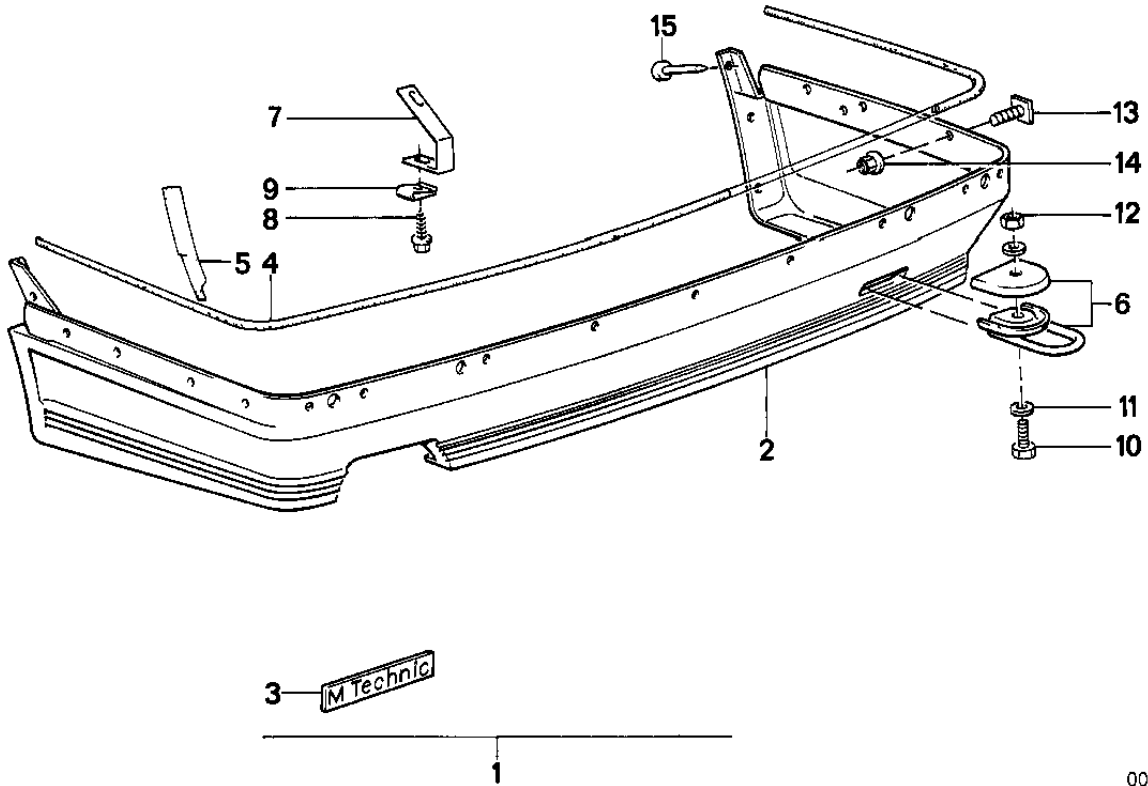
14	Bracket	M TECHNIC	2	09/1987	51111942082	\$5.27	
15	Hex bolt with washer	M6X16-Z2	2	09/1987	07119915042	\$0.27	ENDED
16	Hex nut	M6-Z2	8	09/1987	51451868108	\$0.50	ENDED
16	Hex nut with plate	M6	8	09/1987	07147134319	\$1.05	
17	Hex head screw	ST6,3X16-C-Z1	1	09/1987	07119916965	\$0.27	
18	Body nut	ST6.3-10	1	09/1987	07129925719	\$0.24	
19	AIR CHANNEL LEFT	M TECHNIC	1	09/1987	51711942967	\$32.78	
19	AIR CHANNEL RIGHT	M TECHNIC	1	09/1987	51711942968	\$32.78	

Notes

- ENDED = the part has been discontinued (no longer available).

3' E30 323i REAR APRON M TECHNIC

[Vehicle trim](#) > [Bumper, front](#)



00006018

No.	Description	Supp.	Qty	From	Up To	Part Number	Price	Notes
01	INSTALLING SET REAR APRON	M TECHNIC	1			51121932244		ENDED, EBA 9781507, ABE 9783012
02	Rear apron	M TECHNIC	1		09/1987	51121932211	\$646.37	ENDED
03	Stick-on label	M TECHNIC	1		09/1987	51121919155	\$6.97	
04	SYNTHETIC STRIP	M TECHNIC	1		09/1987	51121942083	\$8.33	
05	FOIL LEFT	M TECHNIC	1		09/1987	51711926201	\$8.63	ENDED
05	FOIL RIGHT	M TECHNIC	1		09/1987	51711926202	\$7.80	
06	Towing hinge	M TECHNIC	1		09/1987	51711919169	\$31.81	
07	Bracket	M TECHNIC	1		09/1987	51121942080	\$3.00	ENDED
07	Bracket	M TECHNIC	1		09/1987	51121953905	\$2.43	
08	Hex head screw	ST4,2X16-C-Z2	2		09/1987	07119916922	\$0.11	ENDED
08	Hex head screw	ST4,2X16-C-Z2	2		09/1987	07119904129	\$0.25	ENDED
09	Body nut	ST4,2-1	2		09/1987	07129925709	\$0.11	ENDED
09	Body nut	4,2-1-ZNS	2		09/1987	07129901644	\$0.09	ENDED
09	Body nut	4,2-1-ZNS3	2		09/1987	07129904220	\$0.09	
10	Hex bolt	M10X20-10.9-	1		09/1987	07119913830	\$0.43	

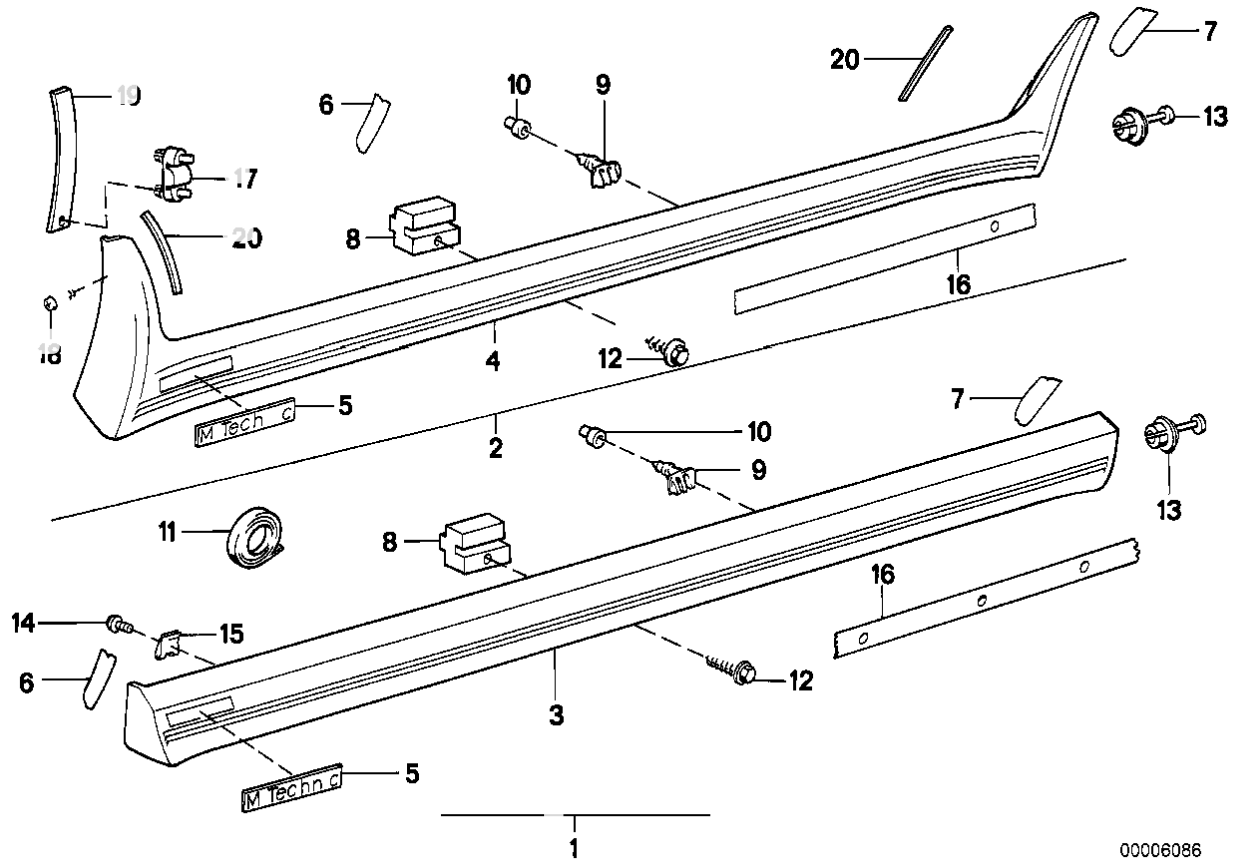
		PHR					
10	Hex bolt	M10X20	1	09/1987	07119913880	\$0.35	ENDED
11	Washer	A10,5	2	09/1987	07119931020	\$0.40	ENDED
11	Washer	ZNS3	2	09/1987	07119904198	\$0.45	
11	Washer	10,5	2	09/1987	07119931106	\$0.16	ENDED
12	SELF-LOCKING HEX NUT	M10	1	09/1987	07129922721	\$0.21	ENDED
12	SELF-LOCKING HEX NUT	M10	1	09/1987	07129964672	\$0.36	
13	Fastener	M TECHNIC	X	09/1987	51121932230	\$1.69	
14	Hex nut	M6-Z2	X	09/1987	51451868108	\$0.50	ENDED
14	Hex nut with plate	M6	X	09/1987	07147134319	\$1.05	
15	RIVET	M TECHNIC	4	09/1987	51711937627	\$0.53	ENDED

Notes

- ENDED = the part has been discontinued (no longer available).
- EBA = Einbauanleitung (Installation instructions)
- ABE = Allgemeine Betriebserlaubnis (General Operating Permit)

3' E30 323i M cover for rocker panel / wheel arch

[Vehicle trim](#) > [Cover door sill / wheel arch](#)



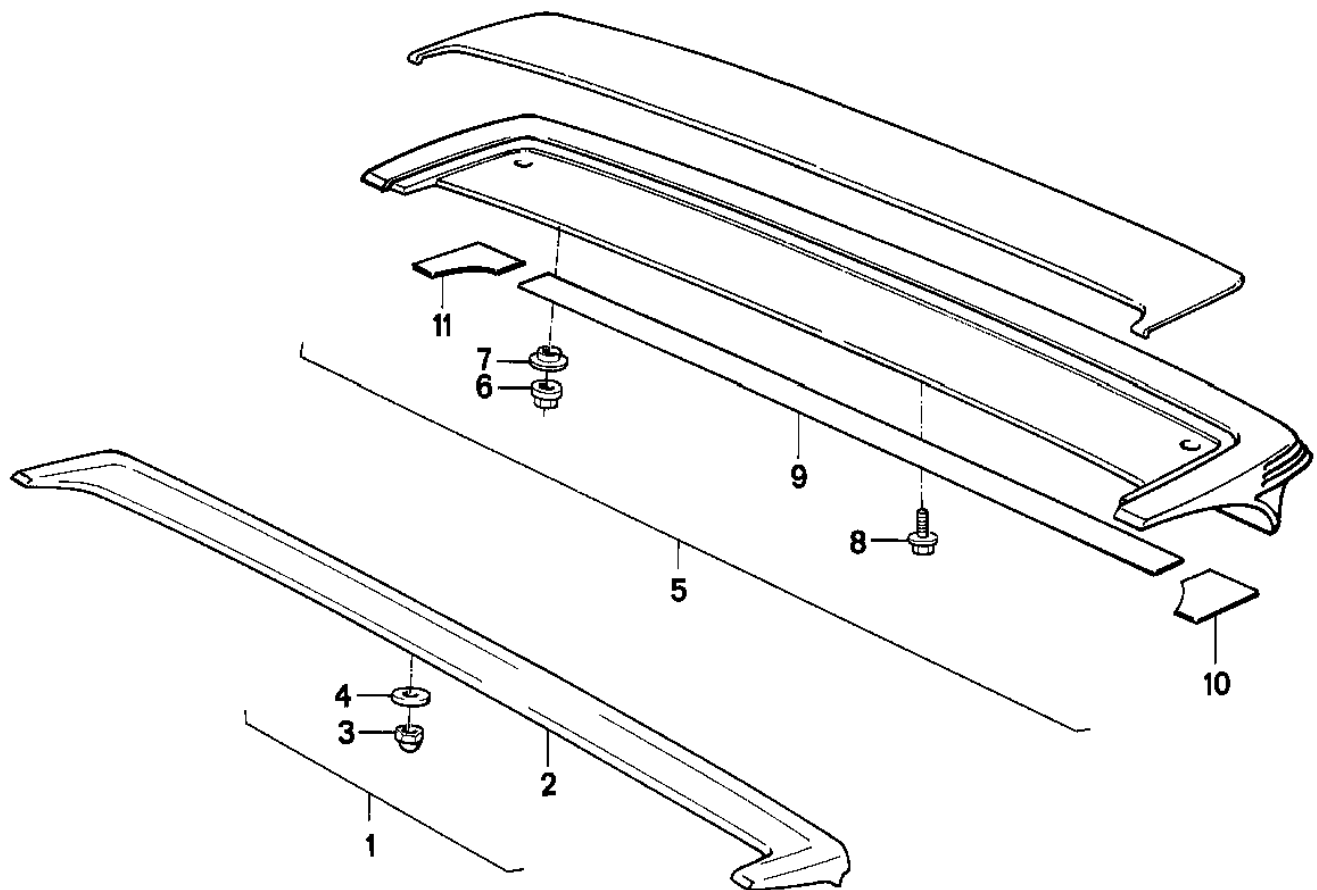
00006086

No.	Description	Supp.	Qty	From	Up To	Part Number	Price	Notes
03	LEFT DOOR SILL TRIM PANEL	M TECHNIC	1	03/1986		51711932209	\$281.23	ENDED
03	RIGHT DOOR SILL TRIM PANEL	M TECHNIC	1	03/1986		51711932210		ENDED
05	Stick-on label	M TECHNIC	2	09/1987		51111919154	\$10.66	
06	FOIL LEFT	M TECHNIC	1	03/1986		51711926199		ENDED
06	FOIL RIGHT	M TECHNIC	1	03/1986		51711926200		ENDED
07	FOIL LEFT	M TECHNIC	1	03/1986		51711926203		ENDED
07	FOIL RIGHT	M TECHNIC	1	03/1986		51711926204		ENDED
08	CLAMPING	M TECHNIC	8	09/1987		51711933125	\$2.17	
09	Plug		X	09/1987		51711927439	\$0.58	
10	Grommet, green	D=9,1MM	X	09/1987		51711932996	\$0.23	
11	Adhesive tape	3000MM	2	09/1987		51711976999	\$28.02	
12	Hex head screw	ST4,8X19-C-Z2	X	09/1987		07119916949	\$0.25	
13	Expanding rivet		4			51161881149	\$0.20	
14	Hex head screw	ST4,8X13-C-Z1	2	03/1986		07119916939	\$0.18	ENDED
14	Hex head screw	ST4,8X13-C-U1-Z	2	03/1986		07119906128	\$0.18	
15	Body nut	ST4,8-9	2	03/1986		07129925734	\$0.18	ENDED
15	Body nut	ST4,8-9-ZNS3	2	03/1986		07129904150	\$0.25	
16	Drilling template left	M TECHNIC	1	03/1986		51711937625		
16	Drilling template right	M TECHNIC	1	03/1986		51711937626		

Notes

3' E30 323i REAR SPOILER SINGLE PARTS

[Bodywork](#) > [Trunk lid](#)



00005363

No.	Description	Supp.	Qty	From	Up To	Part Number	Price	Notes
01	INSTALLING SET REAR SPOILER	SCHWARZ	1			51711945710	\$203.52	EBA 9750880, ABE 9780847, ABE 9786247
01	INSTALLING SET REAR SPOILER PRIME COATED		1			51711967950	\$251.52	EBA 9750880, ABE 9780847, ABE 9786247
03	Plastic nut	M6	6			16131176747	\$0.53	
03	Cap nut	M5	6			51185480150	\$0.32	ENDED
03	Cap nut	M5	6			51711934930	\$0.23	
04	Washer-gasket		6			51711916637	\$0.32	
05	INSTALLING SET REAR SPOILER	M TECHNIC	1			51719057958	\$557.27	ENDED, EBA 9770284, ABE 9780284, ABE 9786677
--	only in conjunction with							
--	TORSION SPRING LEFT		1			41621937497	\$11.48	
--	TORSION SPRING RIGHT		1			41621937498	\$11.48	ENDED
06	Cap nut	M5	6			51711934930	\$0.23	
07	Washer-gasket		6			51711916637	\$0.32	
08	Hex bolt	M5X10	3			07119904442	\$0.80	

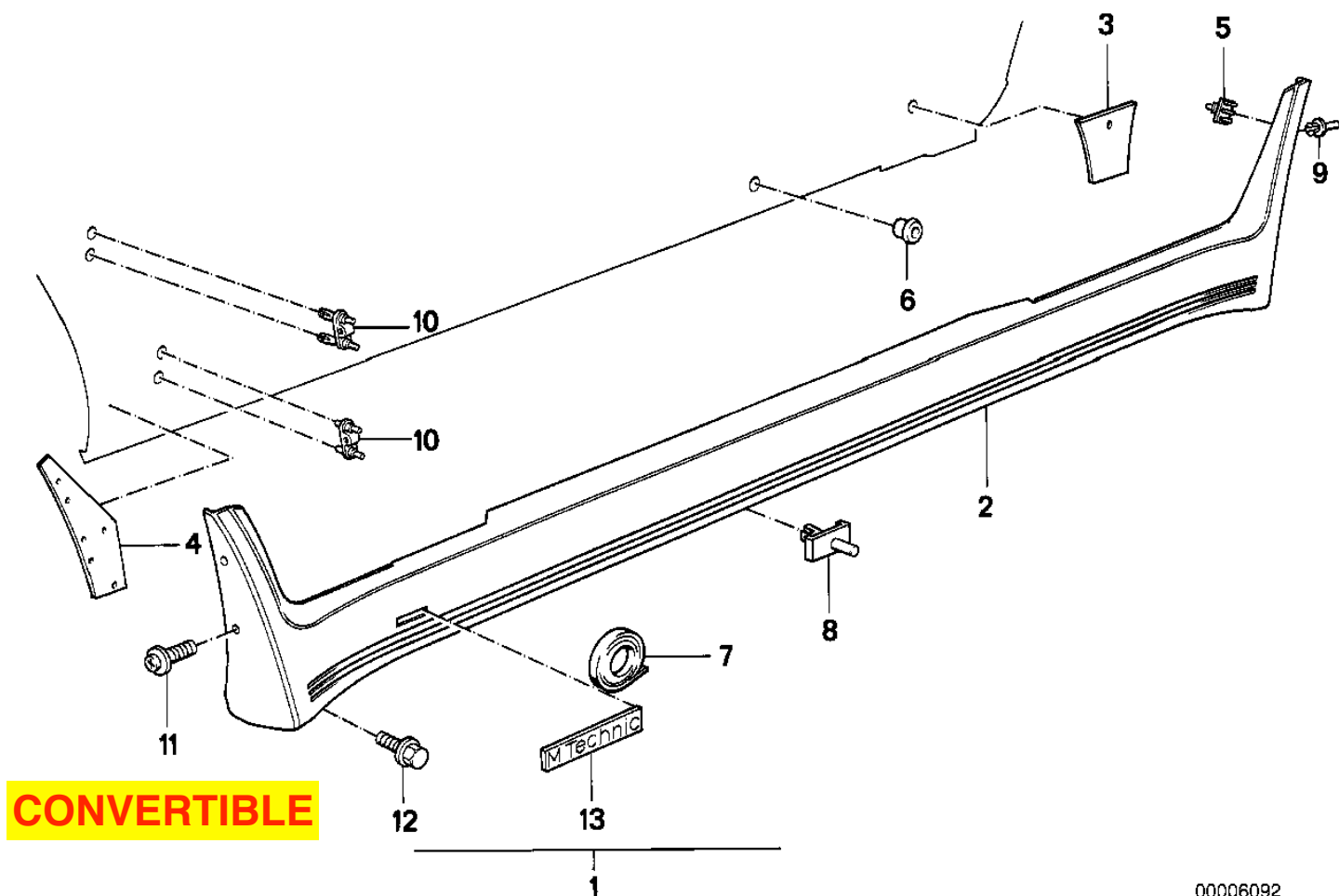
09	Adhesive tape	1200MM	X	51711922087	\$13.14	ENDED
10	FOIL LEFT	M	1	51711922245	\$3.32	
		TECHNIC				
11	FOIL RIGHT	M	1	51711922246	\$3.32	
		TECHNIC				

Notes

- EBA = Einbauanleitung (Installation instructions)
- ABE = Allgemeine Betriebserlaubnis (General Operating Permit)
- ENDED = the part has been discontinued (no longer available).

3' E30 325i M cover for rocker panel / wheel arch

[Vehicle trim](#) > [Cover door sill / wheel arch](#)



00006092

No.	Description	Supp.	Qty	From	Up To	Part Number	Price	Notes
02	LEFT DOOR SILL TRIM PANEL	M TECHNIC	1		10/1990	51711961785	\$582.89	ENDED
02	RIGHT DOOR SILL TRIM PANEL	M TECHNIC	1		10/1990	51711961786	\$582.89	ENDED
03	Drilling template	M-TECHNIC	1		10/1990	51711972929		
04	Drilling template left	M TECHNIC	1		10/1990	51711972903		ENDED
04	Drilling template right	M TECHNIC	1		10/1990	51711972904		ENDED
05	Clamp	M TECHNIC	X		10/1990	51711919149	\$1.42	
06	Grommet		6		10/1990	51131934160	\$0.32	
06	Grommet	M TECHNIC	X		10/1990	51131965261	\$1.28	
06	Grommet	M TECHNIC	4		10/1990	51711919150	\$0.18	ENDED
07	Adhesive tape	3000MM	2		10/1990	51711976999	\$28.02	
07	Foil	1835 MM	2		10/1990	51712239899	\$9.14	
07	Adhesive tape	3000MM	2		10/1990	51719059026		ENDED
08	Expanding rivet	M TECHNIC	X		10/1990	51111976050	\$1.37	
09	Expanding rivet		4		10/1990	51161881149	\$0.20	
10	Clamp		4		10/1990	51711934949	\$1.30	
11	Sheet metal screw	B4,8X19	4		10/1990	51711939302	\$2.59	ENDED
11	Fillister head self-tapping screw	ST4,8X19-Z2	4		10/1990	07119907954	\$0.25	
12	Hex head screw	ST4,8X19-C-Z2	2		10/1990	07119916949	\$0.25	

13 Stick-on label

M TECHNIC 2

10/1990 [51111919154](#) \$10.66

Notes

- ENDED = the part has been discontinued (no longer available).

Copyright © RealOEM.com